

pH / ORP immersion probe Model 8346



data sheet

Features

- Heavy-duty industrial probe for use in difficult applications
- Continuous cleaning (abrading) keeps the electrode constantly active
- The probe may be equipped with gold or platinum electrodes to monitor the ORP, or with an antimony electrode to measure the solution pH
- The electrolyte reservoir is integrated with the probe
- The probe's reservoir may be pressurized with instrument air or with a simple hand pump (retrofit is possible)
- The probe is available for different immersion depths

Product list

Immersion Probe 8346. - E with Electromotor

| Immersion Depth | Model | Item No. | Drawing No. |
|-----------------|---------|---------------|-------------|
| 500 mm | 8346.1E | 363 389,00500 | 1 |
| 1000 mm | 8346.2E | 368 389,01000 | 1 |
| 1500 mm | 8346.3E | 363 389,15000 | 1 |

Pressurizing the Electrolyte Reservoir

| Item | Model | Item No. | Drawing No. |
|-----------------------------|--------|---------------|-------------|
| With Instrument Air: | | | |
| Quick-connect plug | - | 599 990,05704 | 2 |
| Quick-connect jack | - | 599 990,05604 | 2 |
| With Hand Pump: | | | |
| Quick-connect plug | - | 599 990,05704 | 3 |
| Pressure adaptor with gauge | 8538.1 | 359 026,10000 | 3 |

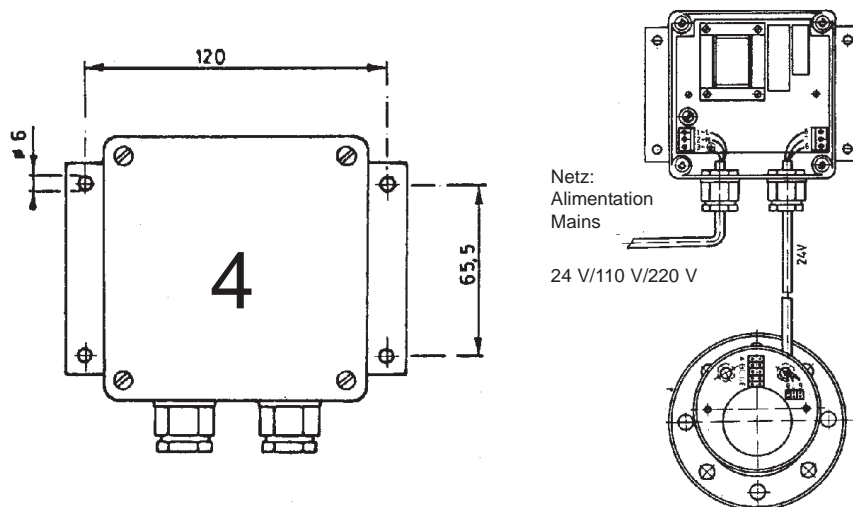
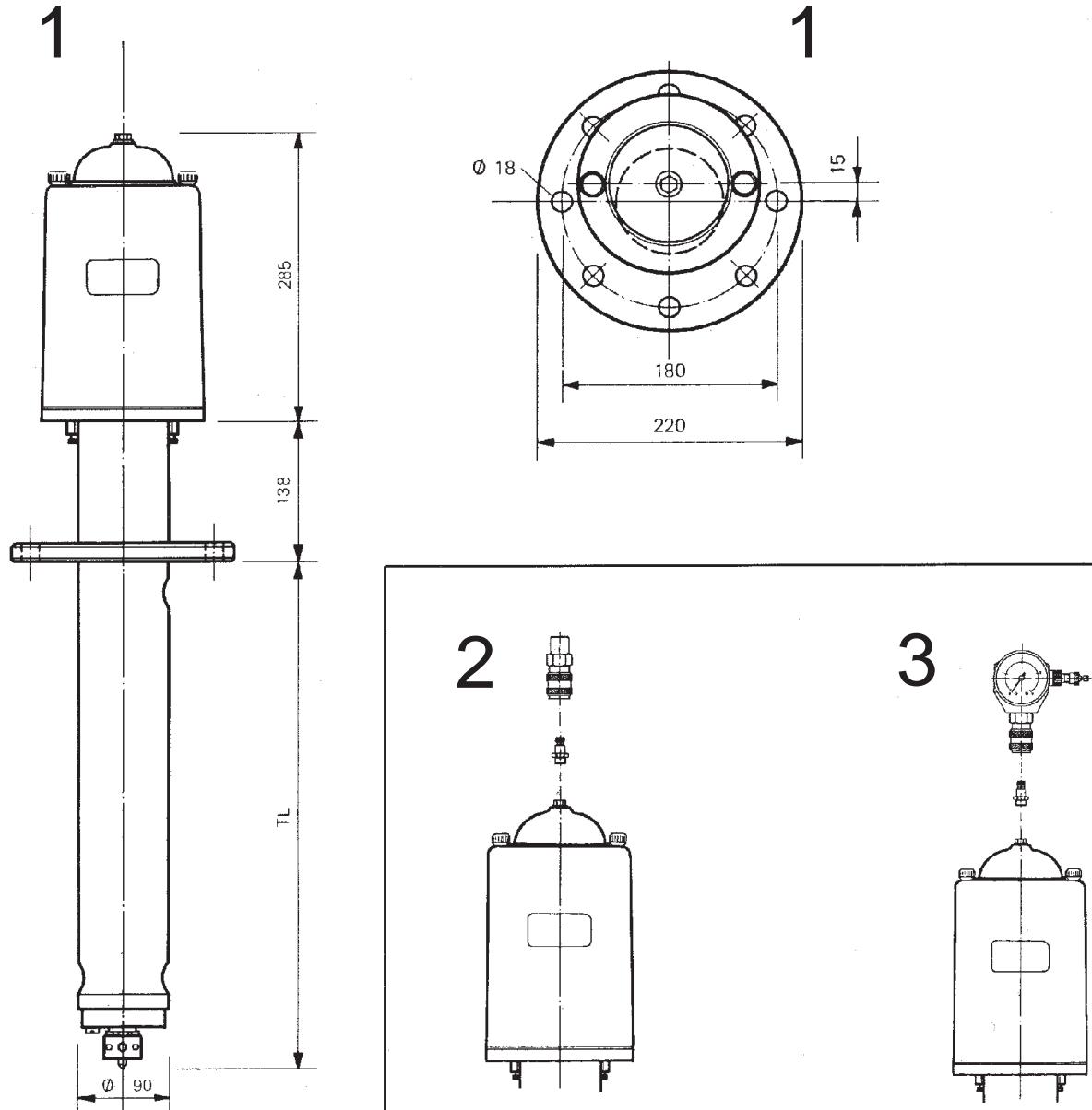
Electrodes

| Item | Model | Item No. | |
|---|--------|---------------|--|
| Gold ring electrode Temperature range: -10 to + 50°C (14–122°F) | 8436 | 363 629,84361 | |
| Platinum ring electrode Temperature range: -10 to + 50°C (14–122°F) | 8435 | 363 629,84351 | |
| Antimony ring electrode Temperature range: -10 to + 120°C (14–248°F) | 8438 | 363 629,84380 | |
| Reference electrode | 8429-B | 368 429,00000 | |

Temperature Sensor

| Immersion Depth | Model | Item No. | |
|-----------------|---------|---------------|--|
| Pt100 for 8346 | | | |
| 500 mm | 8346.1T | 363 389,20500 | |
| 1000 mm | 8346.2T | 363 389,21000 | |
| 1500 mm | 8346.3T | 363 389,21500 | |

Dimensions



Headquarters:

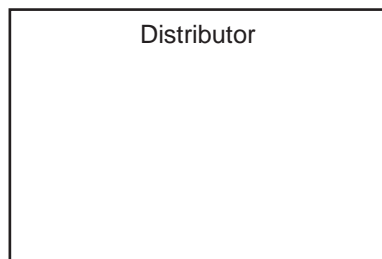
6, route de Compois
C.P. 212
CH1222 Vérenaz, Geneva
Switzerland

Tel. +41 22 855 91 00
Fax +41 22 855 91 99
salesinfo@hachultra.com



www.hachultra.com

This publication is not intended to form the basis of a contract and the company reserves the right to amend the design and specifications of the instruments without notice.



HUA_TE8346revD.qxd



Specifications

- Sample temperature: -10 to + 80°C (14–176°F)
- Ambient temperature: -10 to + 55 °C (14–131°F)
- Sample pressure: Atmospheric
- Volume of the reference-electrolyte reservoir: 0.5 l
- Permissible pressure for electrolyte reservoir: 5 bar max.
- Immersion depths: 500, 1000 and 1500 mm
- Protective hood: IP 54

Materials :

- Probe body: Polypropylene
- Electrolyte reservoir: Grilamide TR 55
- Protective hood: Plexiglass, blue
- Electrode tubing: Polyurethane
- Electrolyte-tubing nipples: Polycetal
- Drive shaft: Stainless steel

Standard accessories

- 1 Instruction Manual in German, English or French (please specify)
- Reference electrolyte KCl, 500-ml bottle

Spares

- Diaphragm assembly for 8346.-E.
Item number 363 700,74106, consisting of:
 - 3 diaphragms
 - 3 hex nuts PP
 - 6 seal
- Cleaning bar assembly for 8346.
Item number 363 700,83462, consisting of:
 - 1 sintered ceramic bar
 - 1 hud
 - 1 screw

Accessories

| Item | Model | Item No. | Drawing No. |
|---|---------|---------------|-------------|
| Transformer, Primary: 220 V, 50/60 Hz - Secondary: 24 V | 8346.50 | 08346=A=5220 | 4 |
| Transformer, Primary: 110 V, 50/60 Hz - Secondary: 24 V | 8346.50 | 08346=A=5110 | 4 |
| Cable, shielded, 6 conductors, with temperature compensation | 2666 | 370=506=025 | |
| Reference electrolyte KCl, 1000 ml | | 363 140,01000 | |