

Sanitary conductivity / resistivity probes in stainless steel

Model 8394



Sensor 8394
(k = 0.01)
clamp 1,5" or clamp 2"



data sheet

Applications

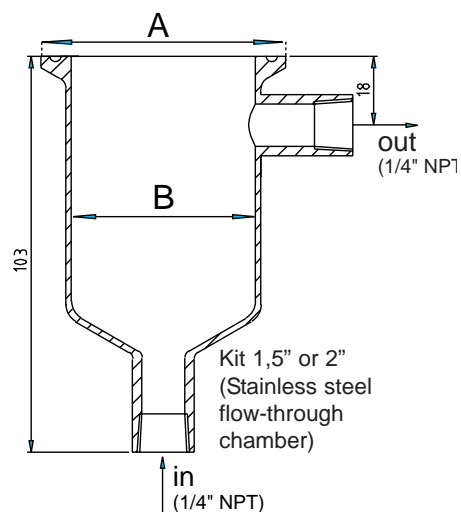
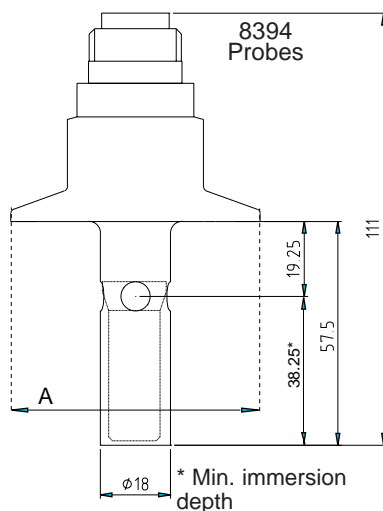
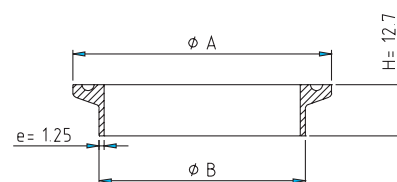
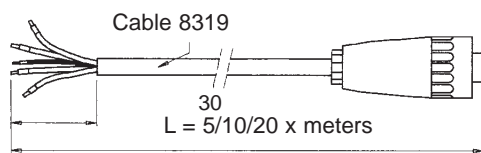
- Monitoring of ultrapure water in pharmaceutical & food industries
- Suitable for CIP-SIP processes

Advantages

- Mechanical and chemical strength
- Quick and easy to install with an IP 65 connector
- Cell constant determined to suit the requirements of ISO7888 and ASTM D5391 regulations
- Built-in temperature sensor (Pt100, grade A) for accurate temperature compensation
- Large measuring range
- Sanitary design : no retaining areas, no crevices, Ra < 0.4µm, FDA-approved wetted materials
- Quality certificates available

Specifications

Dimensions in mm



Headquarters:
6, route de Compois
C.P. 212
CH1222 Vérenaz, Geneva
Switzerland

Tel. +41 22 855 91 00
Fax +41 22 855 91 99
salesinfo@hachultra.com



Sample

Tmax. : 150°C (302°F) at 25 bar (362.5 psi) - Pmax. : 25 bar (362.5 psi) at 150°C (302°F).

Materials

Body, Internal electrode, External electrode SS 316L* (Ra >0,4µm) * Material immersed in the liquid
Insulator PEEK* (FDA approved)
Gasket EPDM* (FDA approved)
Connector Glass Polyester / IP65

Measuring range

Cell constant (k) 0,01 cm-1 +/- 2%
Temperature sensor accuracy +/-0,15°C (grade A)
With a 9125 transmitter 0,01 µS/cm to 200 µS/cm +/-1%
With a 8920/8964 transmitter 0,01 µS/cm to 100 µS/cm +/- 1%

Accessories

Mounting

	Part number	A	B
Kit with EPDM gasket, clamp and stainless steel ferrule (h=13 mm)	08394=A=0380	50.5	1,5" (38 mm)
	08394=A=0510	64	2" (51 mm)
Kit with EPDM gasket, clamp and stainless steel S.S. flow through chamber	08394=A=8150	50.5	1,5" (38 mm)
	08394=A=8200	64	2" (51 mm)

Spares

EPDM gasket 1,5" 429=500=380
EPDM gasket 2" 429=500=510

Cables

Model	Lenght	Part number
8319.5	5 m	08319=A=0005
8319.10	10 m	08319=A=0010
8319.20	20 m	08319=A=0020

Certificates

- standard test certificate states the real value of the cell constant at +/- 2% according to ISO 7888, ASTM D5391
- optional conformity certificates (FDA materials, stainless steel EN 10204 3.1 B, roughness coefficient < 0,4µm)

Certificates	Part number	A
with	08394=A=1511	50.5
without	08394=A=1500	50.5
with	08394=A=2011	64
without	08394=A=2000	64

This publication is not intended to form the basis of a contract and the company reserves the right to amend the design and specifications of the instruments without notice.

Distributor

HUA_TE8394revD.qxd

