

8417 pH electrode



data sheet

Applications

Industrial and waste water treatment applications

Features

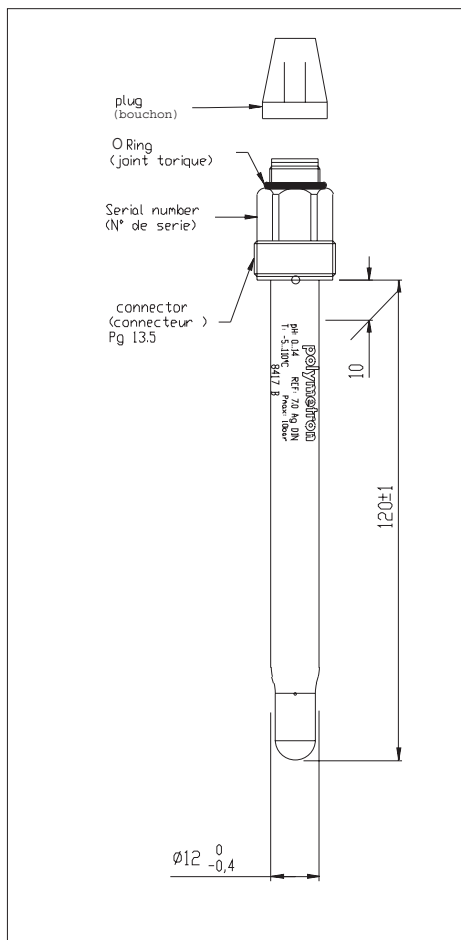
- Double junction with gelified electrolyte KCl
- Sealed reference design Ag/AgCl
- Withstands high temperature up to 110°C
- Not contaminated by sulfide or polluting ions
- Operates in process under pressure

polymetron

a Hach Ultra Analytics solution

Headquarters:
6, route de Compois
C.P. 212
CH1222 Vérenaz, Geneva
Switzerland

Tel. +41 22 855 91 00
Fax +41 22 855 91 99
salesinfo@hachultra.com



www.hachultra.com

This publication is not intended to form the basis of a contract and the company reserves the right to amend the design and specifications of the instruments without notice.

Distributor

HUA_TE 8417revD.qxd

Cable

Model	Reference	Length	Max temperature
AS9 110	359016,10110	3 m/10 ft	70°C/158°F
AS9 120	359016,10120	10 m/33 ft	70°C/158°F
AS9 122	359016,10122	20 m/66 ft	70°C/158°F
AS9 HT 130	359016,10130	3 m/10 ft	110°C/230°F
AS9 HT 160	359016,10160	1.5 m/5 ft	110°C/230°F

The cables have double shields in order to conform to European directive 89/336/CEE regarding electromagnetic compatibility (EN 50081 & EN 50082). External shields are not linked to the connector side : they have to be connected on the transmitter side.

Specifications

Part number	368417,00000
Dimensions	12mm diameter x 120mm length
Measuring range	0-14 pH
Temperature	-5 to 110°C
Max pressure	10 bar at 25°C
Stability	0.02 pH over 24 hours (T, P constant)
Response time	<15s at 25°C
Glass impedance	100 MΩ
Probe material	Glass membrane , ceramic junction
Probe mounting	Standard PG13.5 threaded cap

